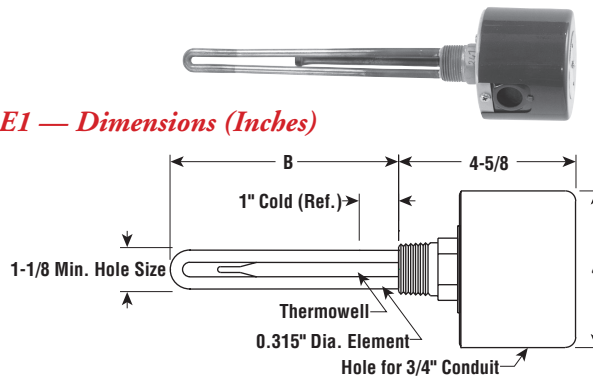


Immersion

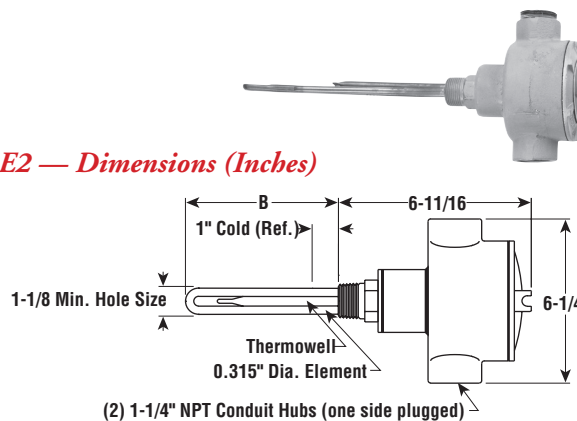
ARTM Clean Water Applications

- 1" NPT Brass Screw Plug
- Copper Sheath Element
- High Watt Density (64 - 86 W/in²)
- 0.75 - 3 kW
- Integral Thermostat (SPST)
- 120 and 240 Volt, Single Phase
- General Purpose or Moisture Resistant/Explosion Resistant Terminal Enclosure

E1 — Dimensions (Inches)



E2 — Dimensions (Inches)



SCREW PLUG

Specifications and Ordering Information

							T4 — Temperature (60 - 187°F)			T5 — Temperature (60 - 240°F)			T8 — Temperature (0 - 127°F)		
kW	Volts	Phase	W/in ²	No. Elem.	DIM B (In.)	Wt. (Lbs.)	Model	Stock	PCN	Model	Stock	PCN	Model	Stock	PCN
E1 General Purpose¹															
0.75	120	1	64	1	6-5/16	2	ARTM-750T4	S	191257	ARTM-750T5	NS	186087	ARTM-750T8	NS	186095
0.75	240	1	64	1	6-5/16	2	ARTM-750T4	S	191265	ARTM-750T5	NS	186108	ARTM-750T8	NS	186116
1	120	1	85	1	6-5/16	2	ARTM-1000T4	S	191273	ARTM-1000T5	S	186124	ARTM-1000T8	S	186132
1	240	1	85	1	6-5/16	2	ARTM-1000T4	S	191281	ARTM-1000T5	S	186140	ARTM-1000T8	NS	186159
1.25	120	1	83	1	8-1/16	3	ARTM-1250T4	S	191290	ARTM-1250T5	NS	186167	ARTM-1250T8	NS	186175
1.25	240	1	83	1	8-1/16	3	ARTM-1250T4	S	191302	ARTM-1250T5	NS	186183	ARTM-1250T8	NS	186191
1.5	120	1	86	1	9-1/4	3	ARTM-1500T4	S	191310	ARTM-1500T5	S	186204	ARTM-1500T8	NS	186212
1.5	240	1	86	1	9-1/4	3	ARTM-1500T4	S	191329	ARTM-1500T5	NS	186220	ARTM-1500T8	NS	186239
2	120	1	83	1	12-1/4	3	ARTM-2000T4	S	191337	ARTM-2000T5	NS	186247	ARTM-2000T8	NS	186255
2	240	1	83	1	12-1/4	3	ARTM-2000T4	S	191345	ARTM-2000T5	NS	186263	ARTM-2000T8	NS	186271
2.5	120	1	79	1	16-1/4	3	ARTM-2500T4	S	191353	ARTM-2500T5	NS	186280	ARTM-2500T8	NS	186298
2.5	240	1	79	1	16-1/4	3	ARTM-2500T4	S	191361	ARTM-2500T5	NS	186300	ARTM-2500T8	NS	186319
3	240	1	78	1	19-7/8	3	ARTM-3000T4	S	191388	ARTM-3000T5	NS	186327	ARTM-3000T8	NS	186335
E2 Moisture Resistant/Explosion Resistant²															
0.75	120	1	64	1	6-5/16	5	ARTM-750E2T4	S	182684	ARTM-750E2T5	NS	319724	ARTM-750E2T8	NS	319732
0.75	240	1	64	1	6-5/16	5	ARTM-750E2T4	NS	182692	ARTM-750E2T5	NS	319740	ARTM-750E2T8	NS	319759
1	120	1	85	1	6-5/16	5	ARTM-1000E2T4	S	182705	ARTM-1000E2T5	NS	319767	ARTM-1000E2T8	NS	319775
1	240	1	85	1	6-5/16	5	ARTM-1000E2T4	NS	182713	ARTM-1000E2T5	NS	319783	ARTM-1000E2T8	NS	319791
1.25	120	1	83	1	8-1/16	6	ARTM-1250E2T4	NS	182721	ARTM-1250E2T5	NS	319804	ARTM-1250E2T8	NS	319812
1.25	240	1	83	1	8-1/16	6	ARTM-1250E2T4	NS	182730	ARTM-1250E2T5	NS	319820	ARTM-1250E2T8	NS	319839
1.5	120	1	86	1	9-1/4	6	ARTM-1500E2T4	S	182748	ARTM-1500E2T5	NS	319847	ARTM-1500E2T8	NS	319855
1.5	240	1	86	1	9-1/4	6	ARTM-1500E2T4	NS	182756	ARTM-1500E2T5	NS	319863	ARTM-1500E2T8	NS	319871
2	120	1	83	1	12-1/4	6	ARTM-2000E2T4	NS	182764	ARTM-2000E2T5	NS	319880	ARTM-2000E2T8	NS	319898
2	240	1	83	1	12-1/4	6	ARTM-2000E2T4	NS	182772	ARTM-2000E2T5	NS	319900	ARTM-2000E2T8	NS	319919
2.5	120	1	79	1	16-1/4	6	ARTM-2500E2T4	NS	182780	ARTM-2500E2T5	NS	319927	ARTM-2500E2T8	NS	319935
2.5	240	1	79	1	16-1/4	6	ARTM-2500E2T4	NS	182799	ARTM-2500E2T5	NS	319943	ARTM-2500E2T8	NS	319951
3	240	1	78	1	19-7/8	6	ARTM-3000E2T4	S	182801	ARTM-3000E2T5	NS	319960	ARTM-3000E2T8	NS	319978

Stock Status: S = stock NS = non-stock
To Order—Specify model, volts, phase, kW, PCN and quantity.

1. Heaters with General Purpose Enclosures are UL Listed and CSA Certified.
2. Heaters with Moisture Resistant/Explosion Resistant Enclosures are cCSA_{US}® Certified.

FASTShip

Same-day shipping on stock item orders received before 4 pm CST. 3-day shipping on assembly-stock items.